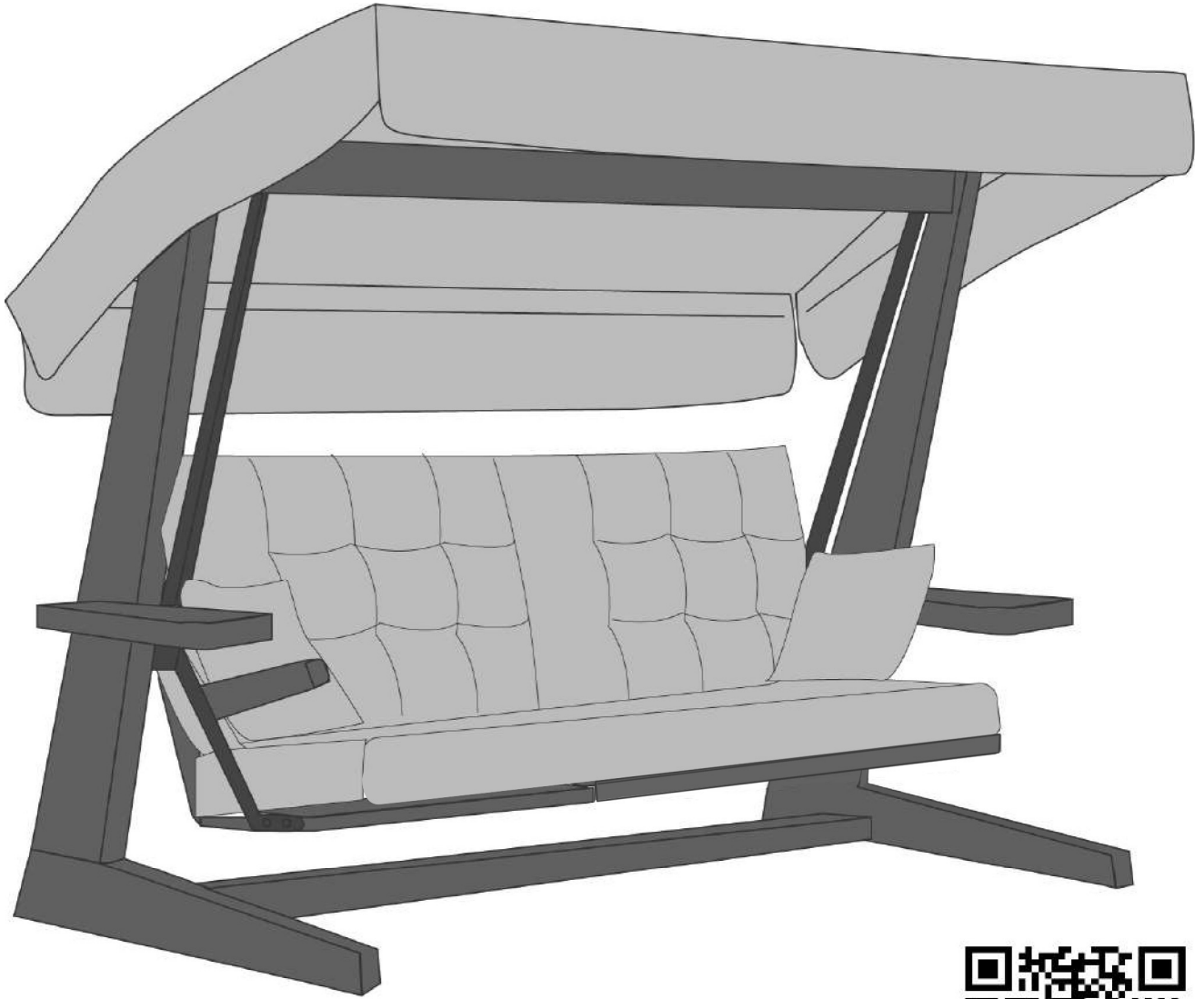
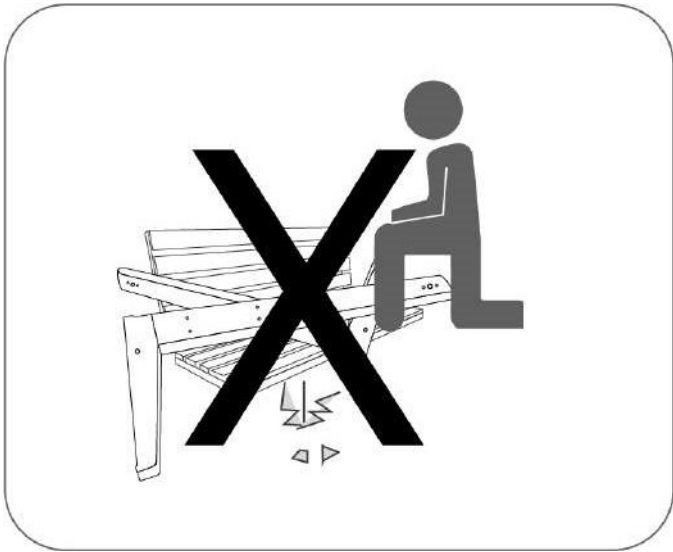
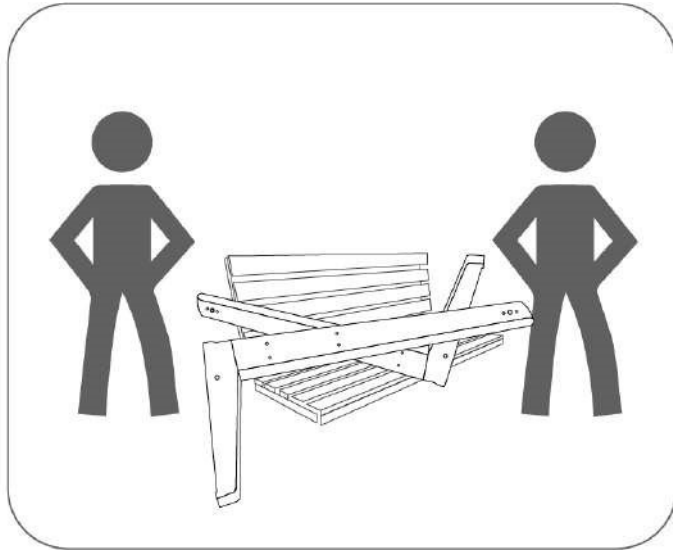
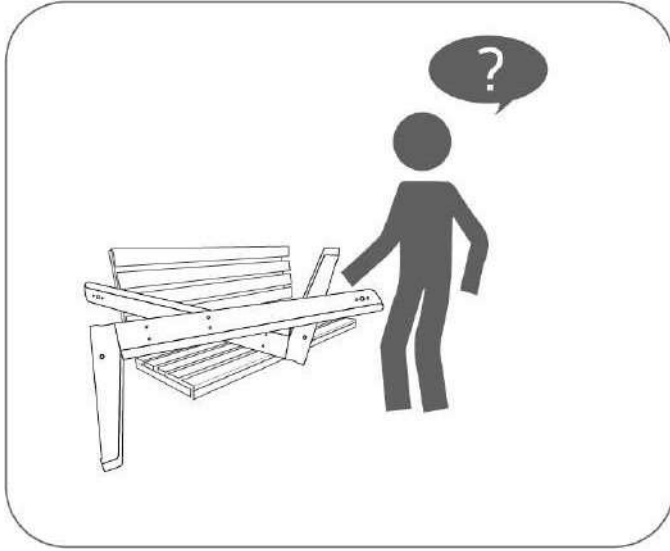


# SIA



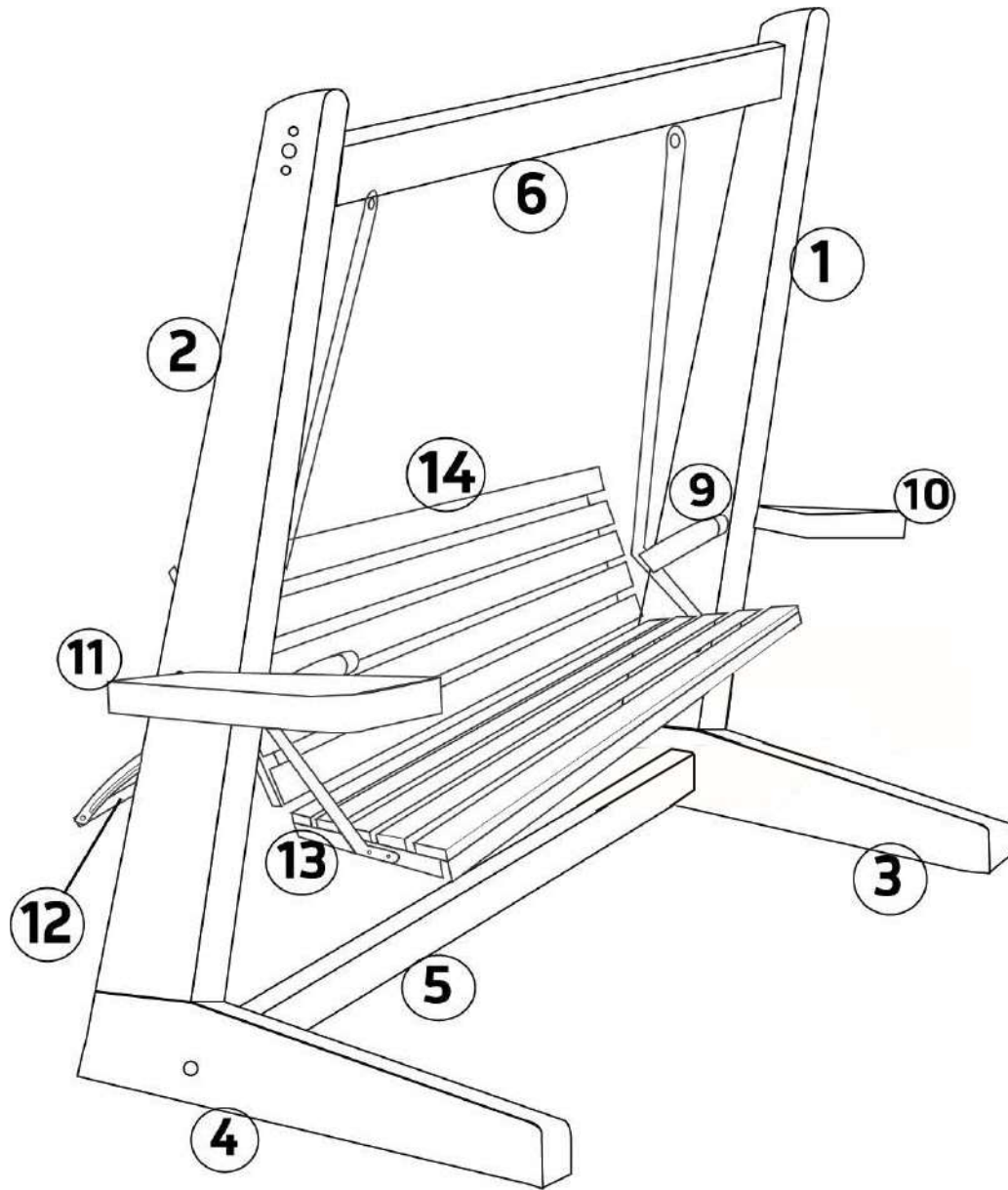




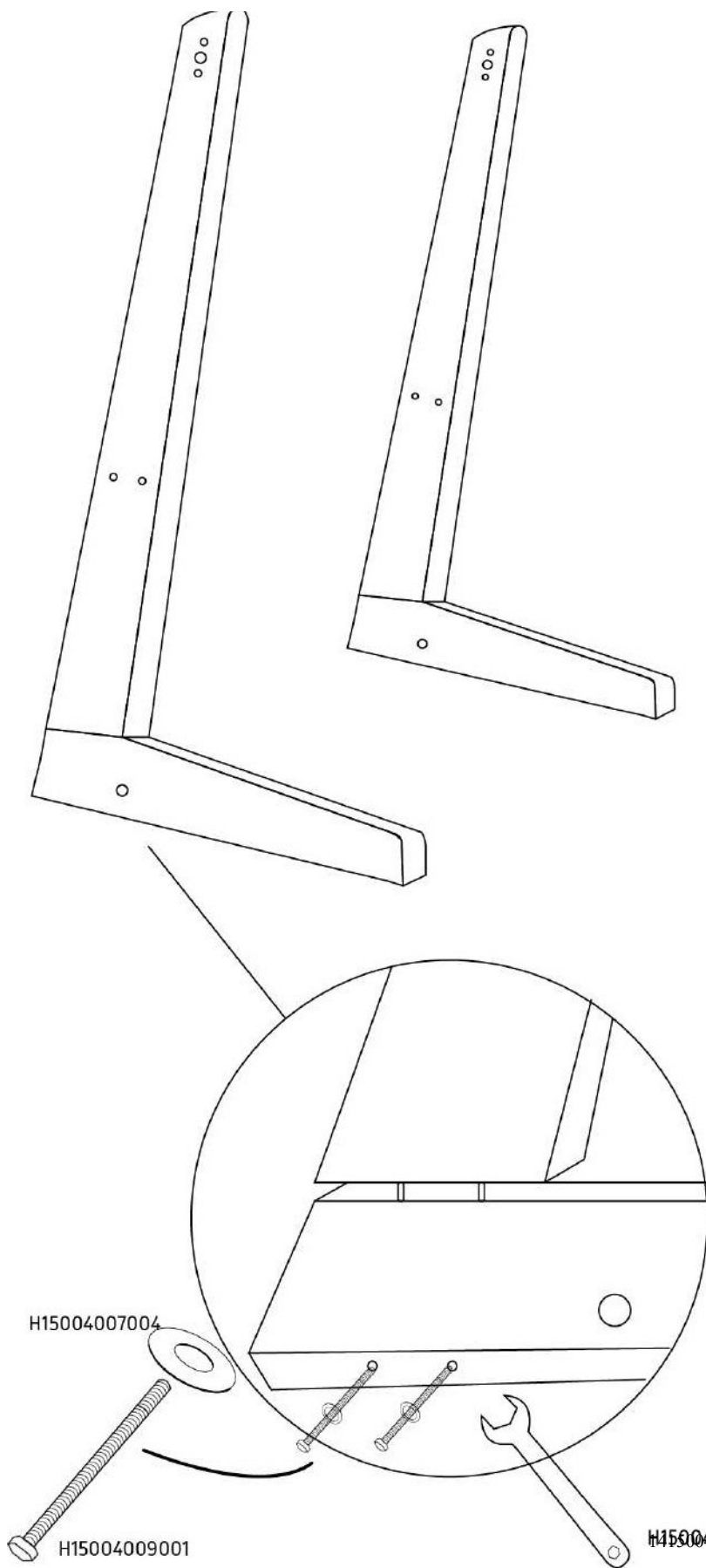
PCS

<u>IUQ_H15004016001</u>	1	T30 Torqs UG/ T30 Torx Bit
H15004016002		T40 Torqs / T40 Torx Bit
	4	Civata Ylldz Siyah Bakalit M8x40 Bolt Phillips-head Black Bakelite M8x40
H15004002006	4	Pul ince Galvanizli Beyaz 3/8 Washer Thin Galvanized White 3/8
H15004007002		
H15004002004	4	Civata HB imbus Galvanizli Beyaz M8x100 mm Bolt HB Hex Head Galvanized White M8x100 mm
H15004007003	4	Pul özel Havall Galvenizli Beyaz 27x6 Washer Special Countersunk Galvanized White 27x6
1-415004007005	2	Pul Kalin Galvenizli Beyaz M12 Washer Thick Galvanized White M12
<b>O</b>	2	Catalll Mafsal Katlamr Yay Bulonlu M12x1.25 Di5 Fork Link Universal Joint Spring Bolted M12x1.25 Thread
H15004008002		
H15004006002	2	Burg Poliamid 19x12 mm Bushing Polyamide 19x12 mm
H15004003004	8	Vida Torqs HB Galvanizli (Beyaz) 6x60 Screw Torx HB Galvanized (White) 6x60

15004003005	4	Vida Torxs HB Galvanizli (Beyaz) 8X100 Screw Torx HB Galvanized (White) 8X100
H15004007004	4	Pul Galvanizli Beyaz 30x10x2 Washer Galvanized White 30x10x2
1415004009001	4	saplama Tam MIO*250 mm Stud Full Thread MIO*250 mm
H15004012001		Torks Anahtarl / Torx Key



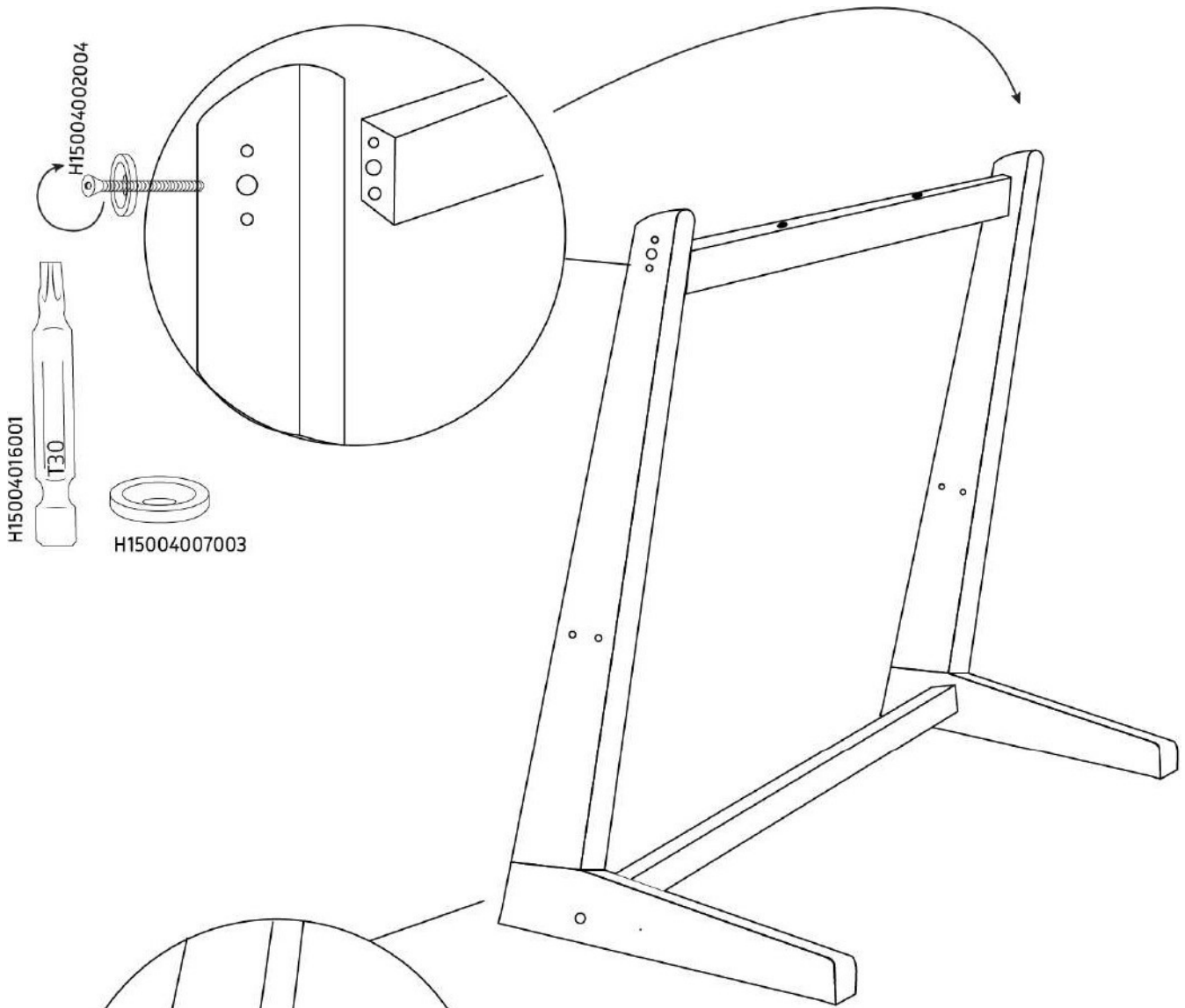
SIA 2400			
1	Y3101211161101C16	Sia Dika ak Sol Ireko 1700x280x45 mm (Teak Ya <sup>u</sup> Vernik)	Sia Vertical L Left Iroko 1700x28Cx45 mm (Teak Oil Varnish)
2	Y3101?11151101016	Sia Dika ak Sa <sup>u</sup> ireko 1700x280x45 mm (TeakYa <sup>•</sup> Vernik)	Sia Vertical L Ri ht Iroko 1700x280x45 mm (Teak Oil Varnish)
3	{31012111121101004	Sia Alt A ak Sol ireko 1225x160x45 mm (Teak Ya <sup>o</sup> Vernik) Sia Alt A akSa <sup>u</sup> Ireko 1225x160x45 mm (Teak Ya <sup>u</sup> Vernik)	Sia Lower Le Left Iroko 1225x160x45 mm (Teak Oil Varnish) Sia LowerL Ri ht Iroko 1225x160x45 mm (Teak Oil Varnish)
5	*13101211131101029	Sia Ara Ka It Alt Ireko 1980x95x45 mm (Teak Ya <sup>u</sup> Vernik)	5aSu ort Slat Lower Iroko 1980x95x45 mm (Teak Oil Varnish)
6	Y3101211141101029	Sia Araka It Ust ireko 1980x95x45 mm eak Ya <sup>v</sup> Vernik	SiaSu ort Slat U er Iroko 1980xg5x45 mm eak Oil Varnish
7	Y3101217321101J31	Sia Tente Itasl ireko 2080x25x22 mm (Teak Ya <sup>u</sup> Vernik)	Sia Cano Lath Iroko 2080x25x22 mm (Teak Oil Varnish)
8	Y3101?17361101007	Sia Yan Tente Itasl ireko 1330x95x?2 mm (Teak Ya <sup>u</sup> Vernik)	Sia Side Cano Lath 1330x95xæ mm (Teak Oil Varnish)
9	Y3101215201101035	Sia Kol ak Ireko 400x70x44 mm (Teak Vernik)	Sia Armrest Iroko 400x70x44 mm (Teak Oil Varnish)
10	Y3101?11281101J45	Sia Seh a Sol ireko 600x180x45 mm (Teak Ya <sup>u</sup> Vernik)	Sia Table Left Iroko 600x18Cx45 mm (Teak Oil Varnish)
11	{31012111?71101045	Sia Seh a Sa <sup>o</sup> Ireko 600x180x45 mm (Teak Ya <sup>u</sup> Vernik)	Sia Table Ri ht Iroko 600x180x45 mm (Teak Oil Varnish)
12	Y3101212171101018	Sia Kademe Itasl ireko 1730x25x22 mm (Teak Ya <sup>u</sup> Vernik)	SiaAd ustin Lath Iroko 1730x25x2? mm (Teak Oil Varnish)
13	{3101219391130000	Sia 2400 Oturak Iskeleti Vida Monta'll ireko (Teak Ya <sup>u</sup> Vernik)	Sia 2400 Seat Frame Screw Assembled Iroko (Teak Oil Varnish)
14	Y3101219401130000	Sia 2400 Slrt iskeleti Vida Monta II ireko (Teak Ya <sup>u</sup> Vernik)	Sia 2400 Back Frame Screw Assembled Iroko (Teak Oil Varnish)



H15004007004

H15004009001

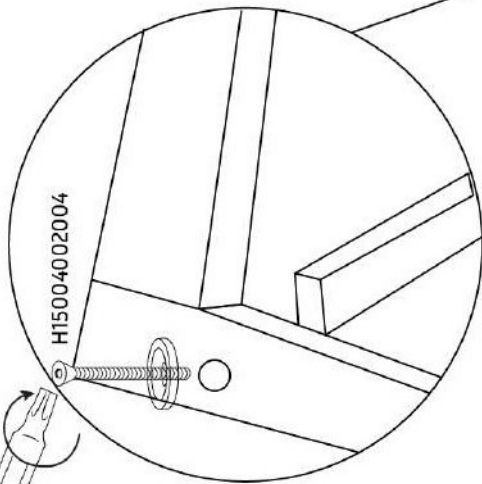
H15004012001



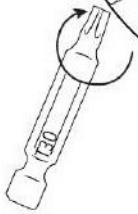
H15004016001



H15004007003



H15004002004



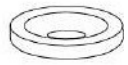
H15004016001

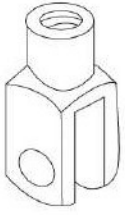


+15004016001  
H15004007003



H15004002004

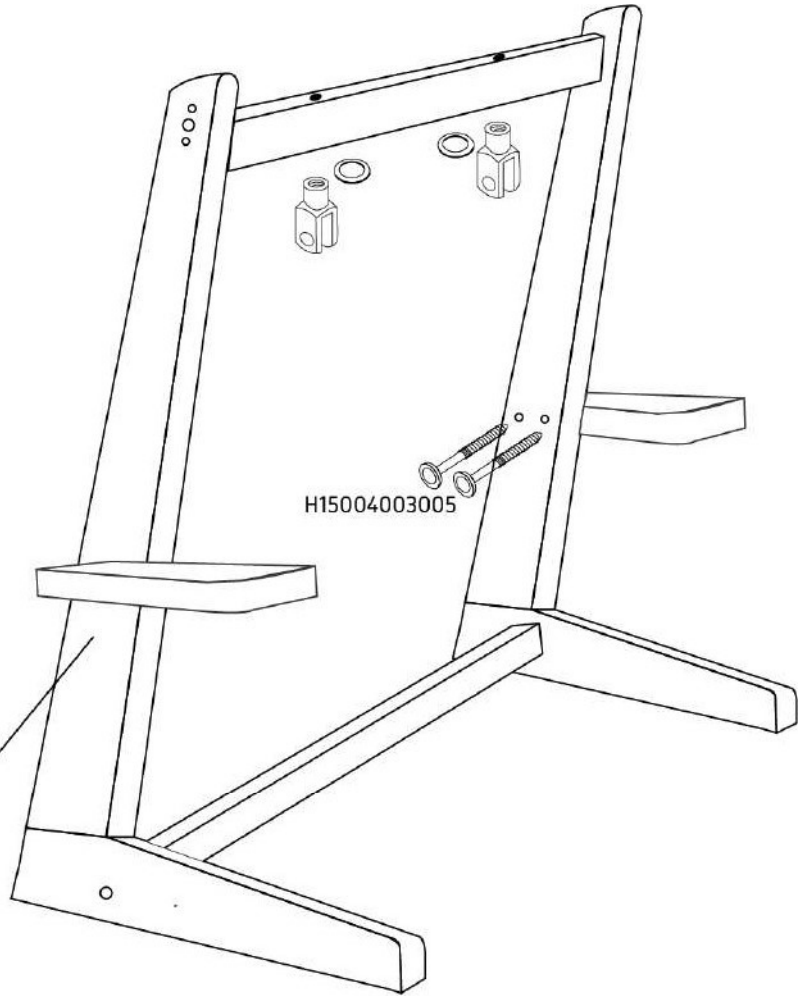




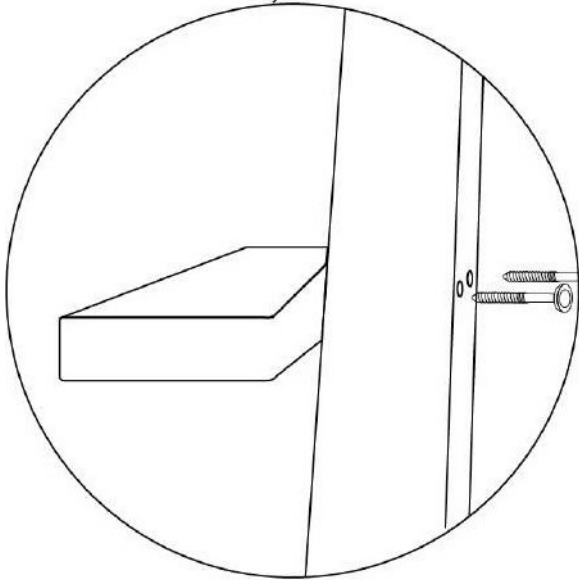
H15004008002



H15004007005



H15004003005



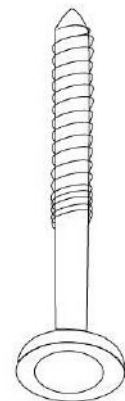
H15004003005



H15004016002

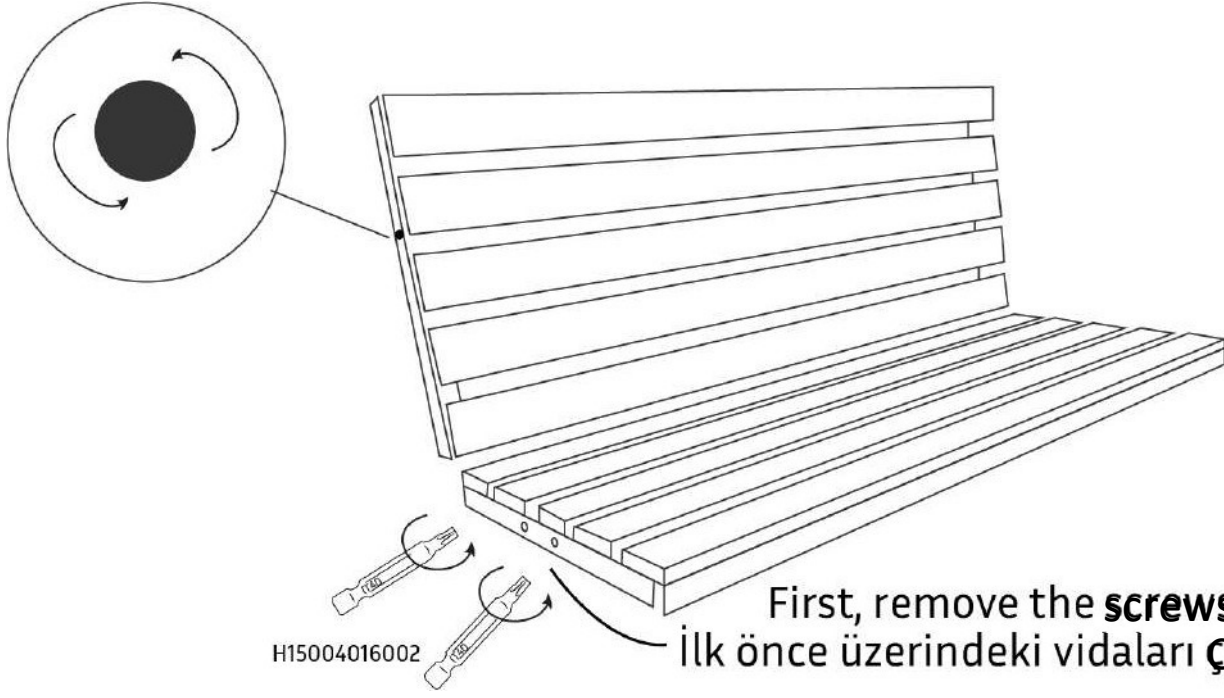


H15004016002

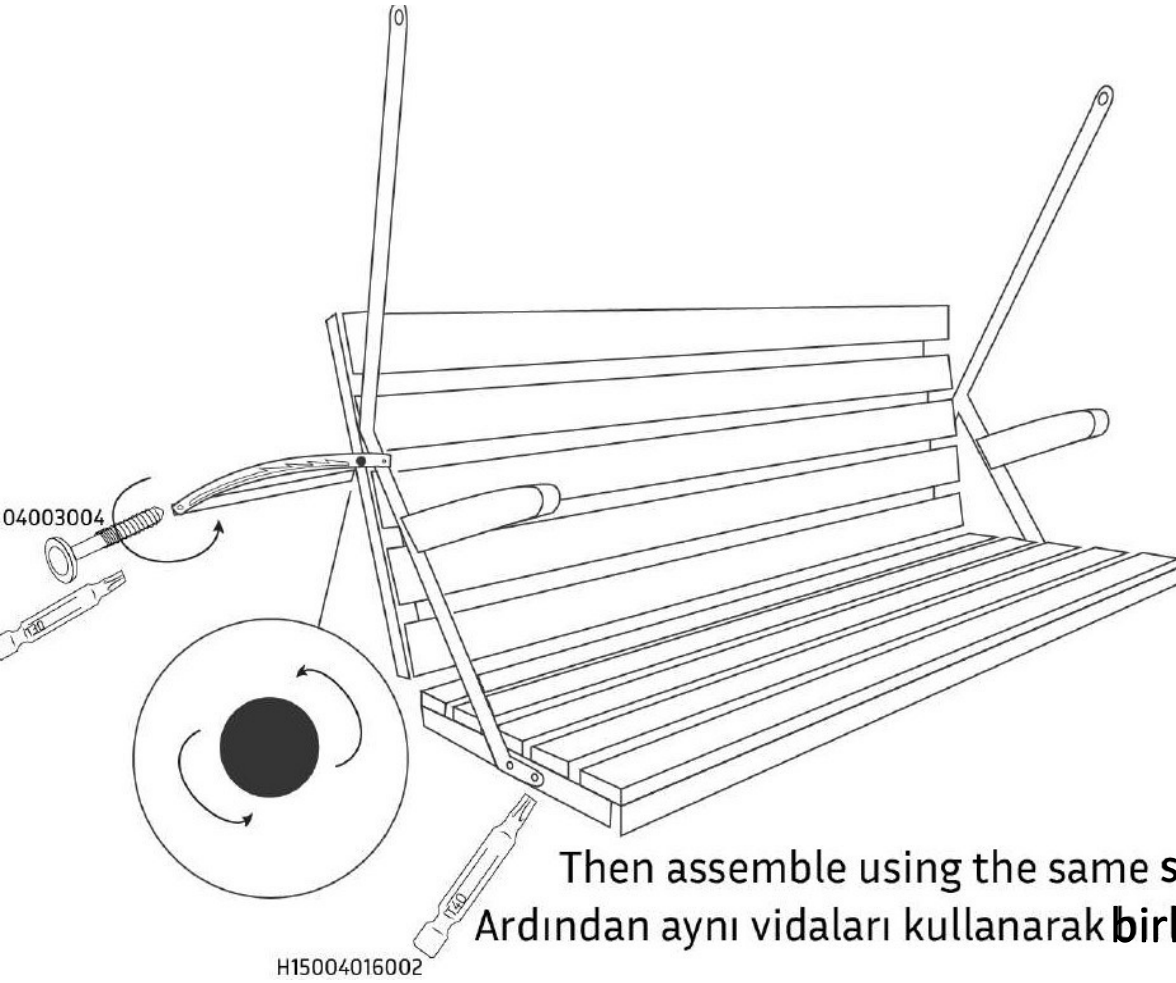


H15004003005

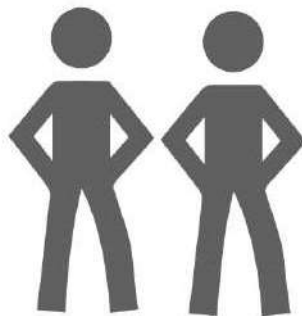
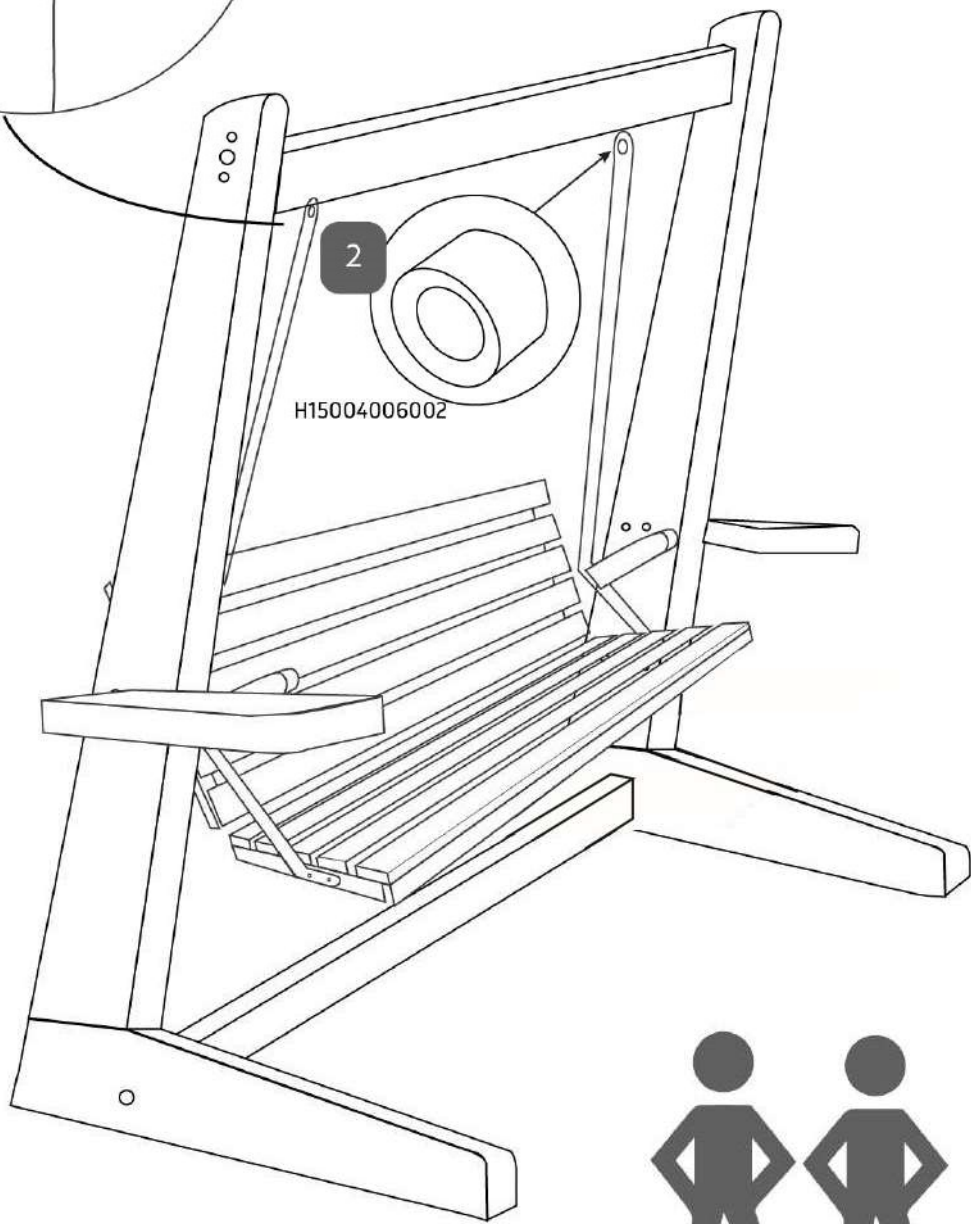
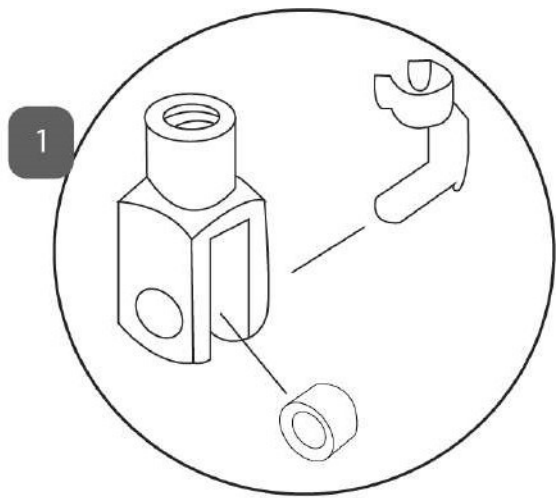
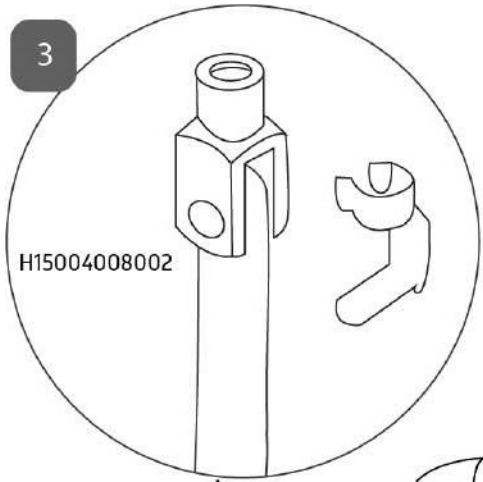


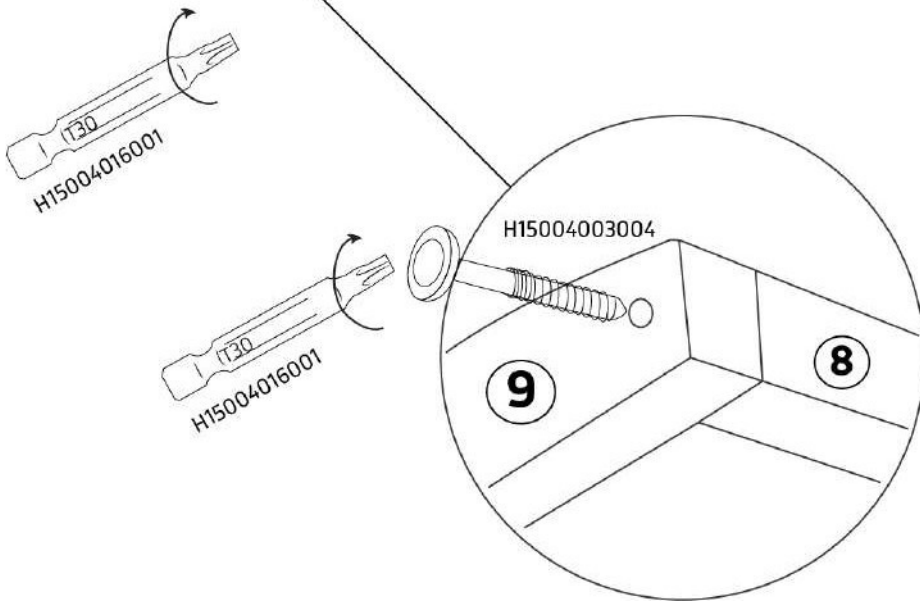
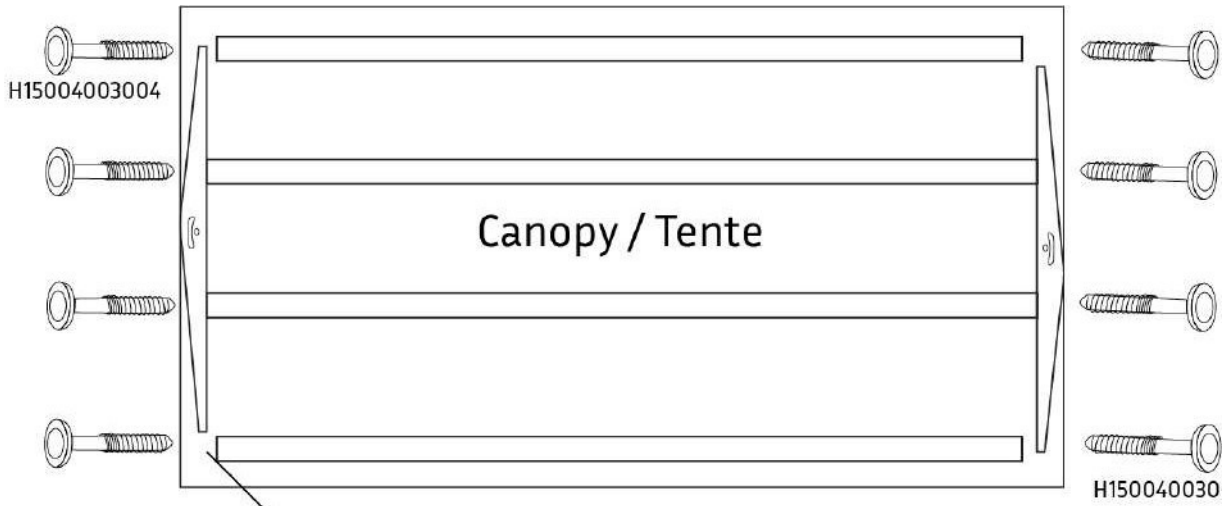
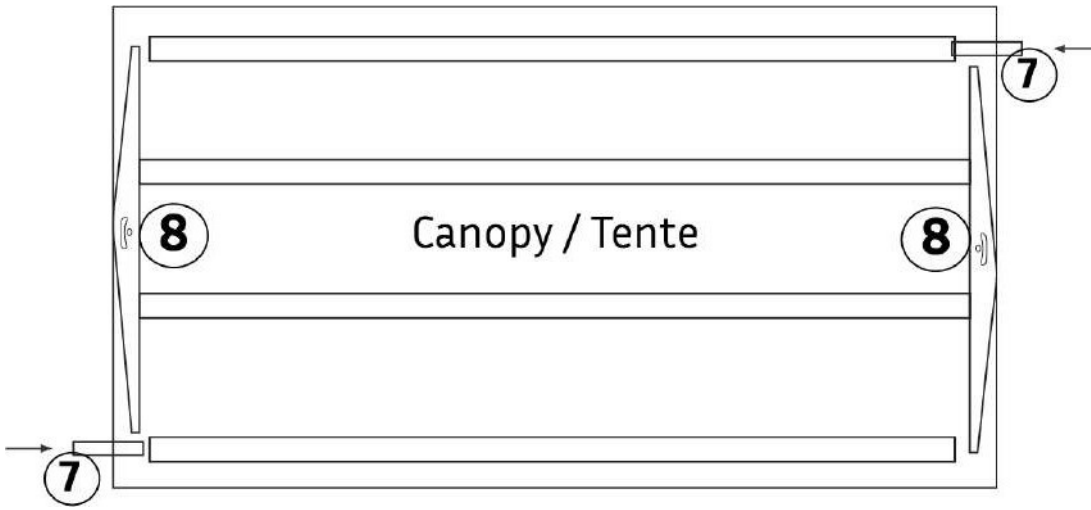


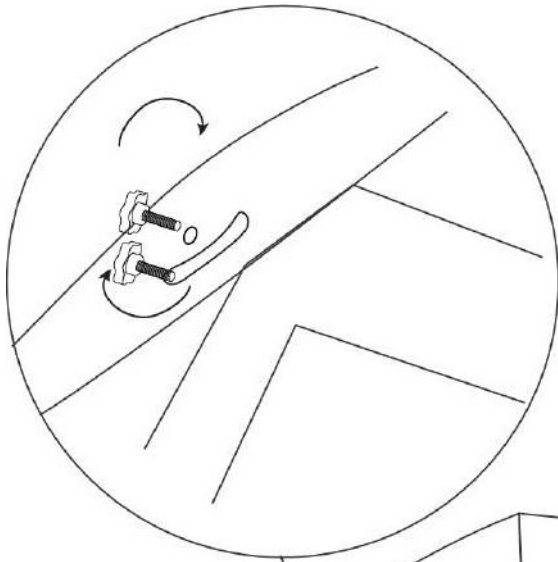
First, remove the **screws** on it.  
İlk önce üzerindeki vidaları **Çıkarın**.



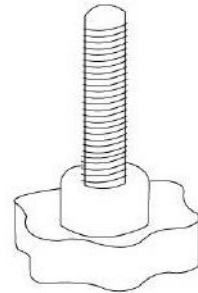
Then assemble using the same screws.  
Ardından aynı vidaları kullanarak **birleştirin**.



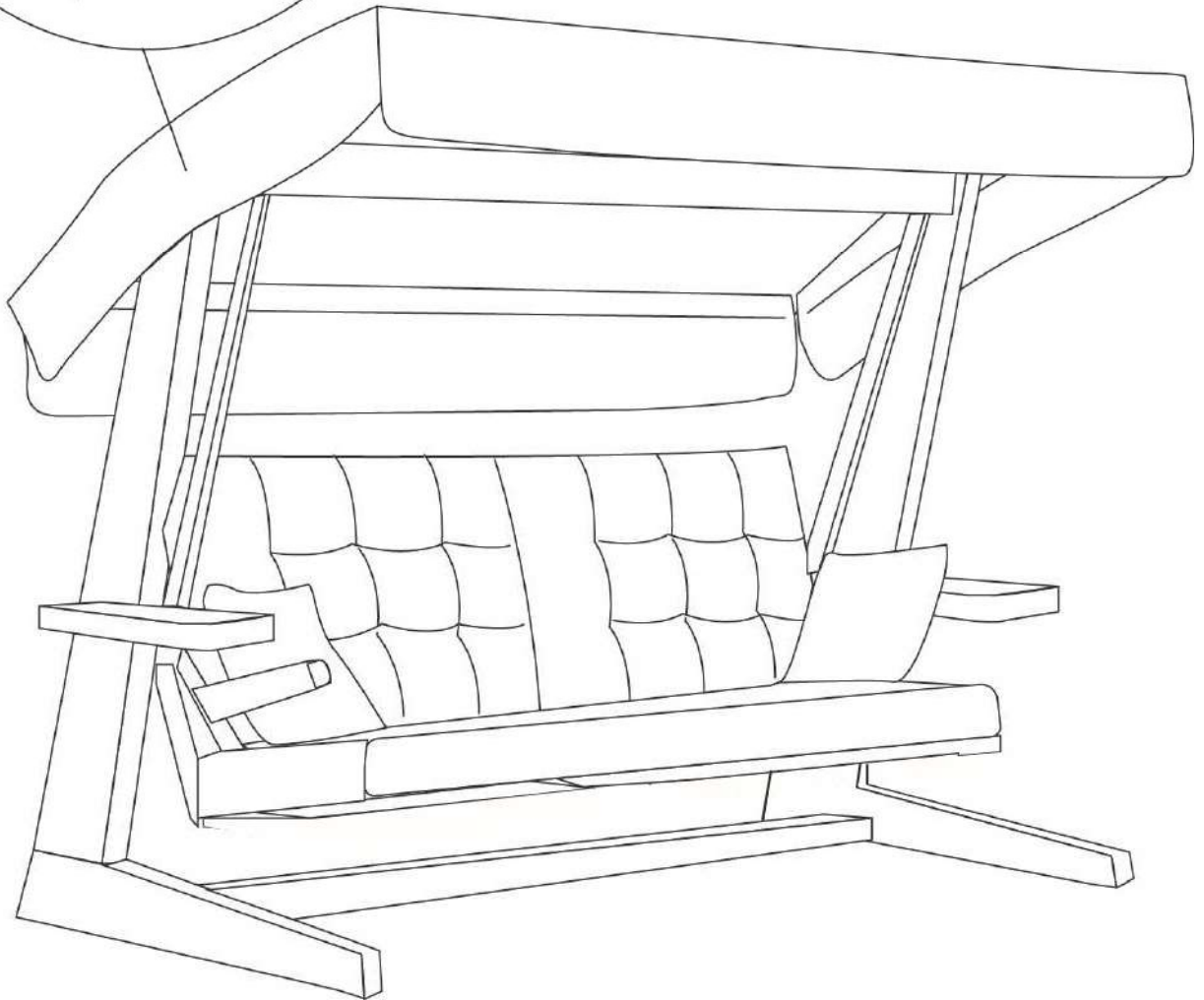




H15004007002



H15004002006



Notes:.....

.....

---

---

---

---

---

---

SIA

